

Delta Industrial Automation.

MICRO - VARIADORES DE FRECUENCIA MS-300 Y MH-300



Automation for a Changing World

Delta High Performance / Standard Compact Drive MH300 Series / MS300 Series



www.deltaww.com



DELTA
Smarter. Greener. Together.



CAPACIDADES DISPONIBLES

115V single-phase

Applicable Motor Output (kW)	0.2	0.4	0.75
Applicable Motor Output (HP)	0.25	0.5	1
Frame Size	A		C

230V single-phase

Applicable Motor Output (kW)	0.2	0.4	0.75	1.5	2.2
Applicable Motor Output (HP)	0.25	0.5	1	2	3
Frame Size	A		B	C	

230V 3-phase

Applicable Motor Output (kW)	0.2	0.4	0.75	1.5	2.2	3.7/4	5.5	7.5	11	15
Applicable Motor Output (HP)	0.25	0.5	1	2	3	5	7.5	10	15	20
Frame Size	A			B	C		D	E		F

460V 3-phase

Applicable Motor Output (kW)	0.4	0.75	1.5	2.2	3.7/4	5.5	7.5	11	15	18.5	22
Applicable Motor Output (HP)	0.5	1	2	3	5	7.5	10	15	20	25	30
Frame Size	A		B	C		D		E		F	



Características

**TECLADO REMOVIBLE
INCLUIDO**
Para operación remota del drive.



PUERTO USB INCLUIDO
Para una rápida y fácil conexión
para programación,
actualización, monitoreo en
tiempo real y tuneo.



VENTILADOR REMOVIBLE

Comunicación MODBUS integrada de fabrica.

MS300 series built-in I/O slot *1



MH300 series built-in I/O slot *2



PG Cards (for MH300)

ABZ Signal
Line driver



ABZ Signal
Open collector



Resolver
PM motors



I/O Cards (for MH300)

I/O



Analog



Relay Cards (for MH300)

Form A *3



Form C *2



External Power Supply Card (DC 24V)



Communication Cards

CANopen*



DeviceNet



* For MS300 only

PROFIBUS DP



EtherNet/IP



MODBUS TCP



EtherCAT*



* For MH300 only





Instalación LADO a LADO
En temperaturas de operación de -20°C – 40°C

SOPORTA DIFERENTES TIPOS DE MOTORES

Surface Permanent Magnet (SPM) Motors



Interior Permanent Magnet (IPM) Motors



Induction Motors



MS300: Supports 4 independent induction motor control parameter sets.

MH300: Supports 8 independent induction motor control parameter sets.

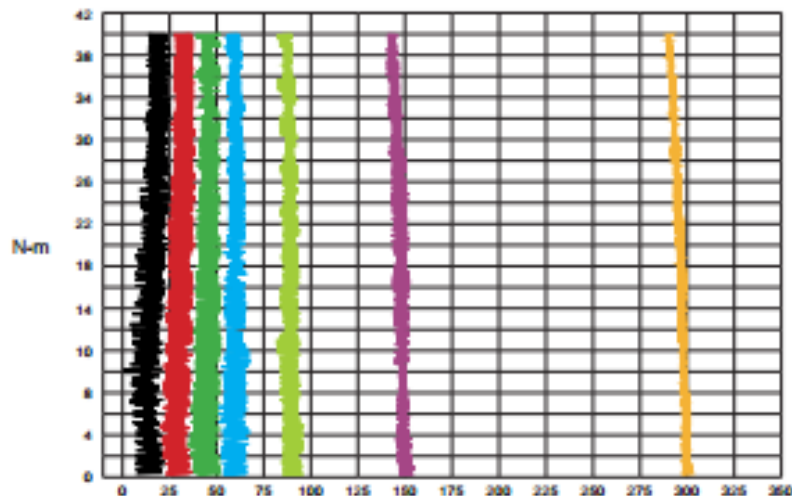
Características Principales

Alto control de Torque en el arranque

(Antes solo podíamos lograrlo con el C2000)

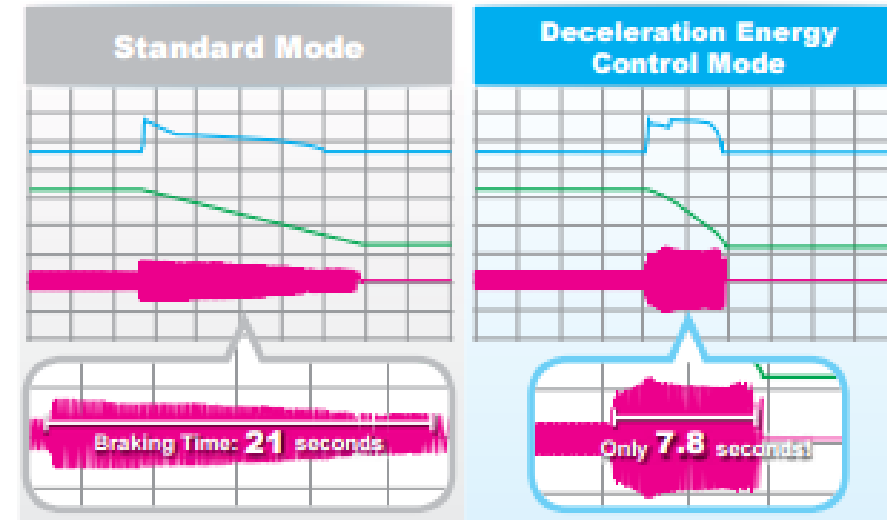
High Starting Torque

Delivers 200% high starting torque with a low speed control of 0.5Hz. This feature provides outstanding machine stability and is suitable for dynamic loading applications.



Enhanced Braking Capability

Provides Deceleration Energy Control Mode to shorten braking time by adjusting the motor speed and current. This feature replaces the need for braking resistors.

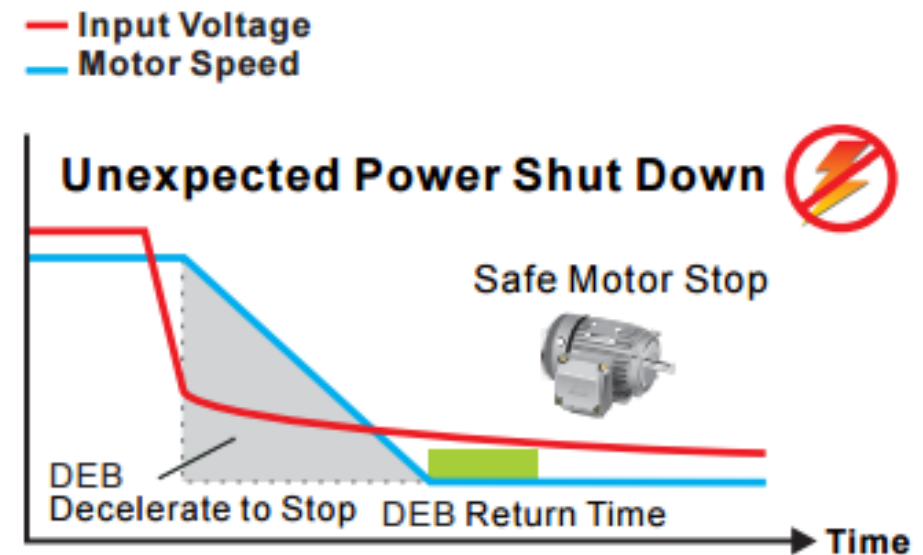
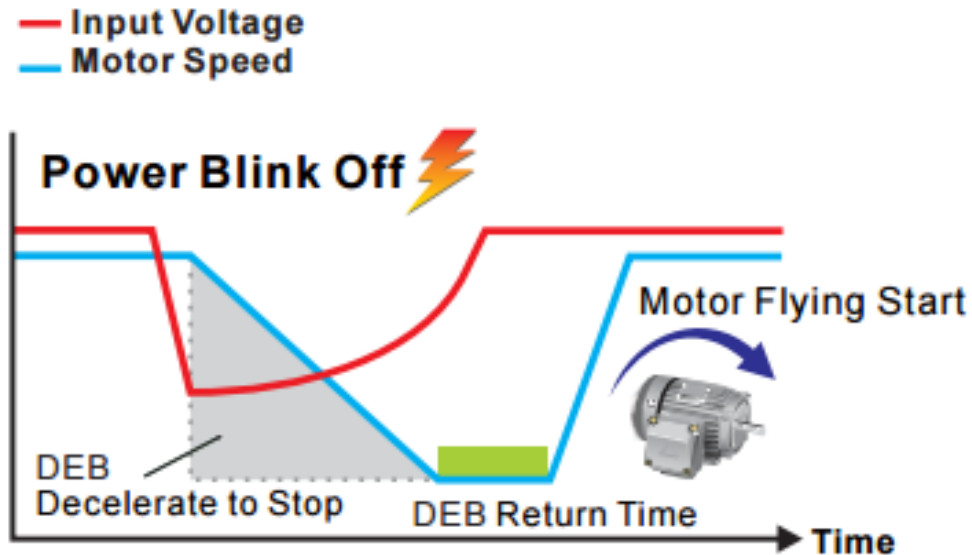


* Actual deceleration performance would depend on different system loads

ADEMAS YA NO SE
REQUIERE LA UNIDAD
DE FRENADO!!!

Deceleration Energy Backup (DEB)

Controls the motor deceleration to a stop when an unexpected power shut-down occurs to prevent mechanical damage. When power resumes, the motor will accelerate to its previous speed.



Controla la desaceleración del motor cuando se va la energía eléctrica de manera repentina para prevenir daño mecánico en el motor
(woow!)

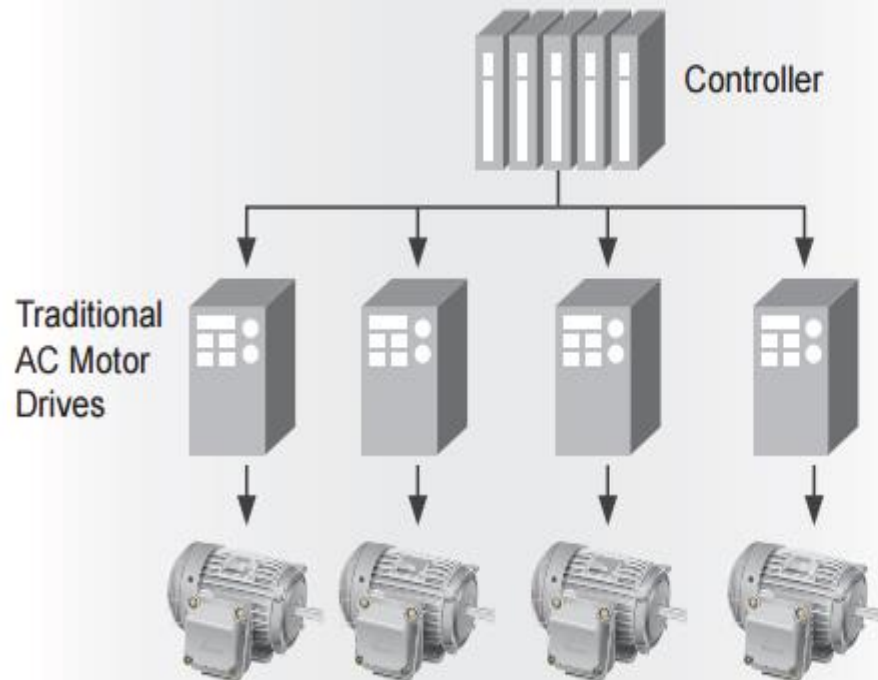
Multi-motor Control

MH300 series supports 8 induction motors switching control.

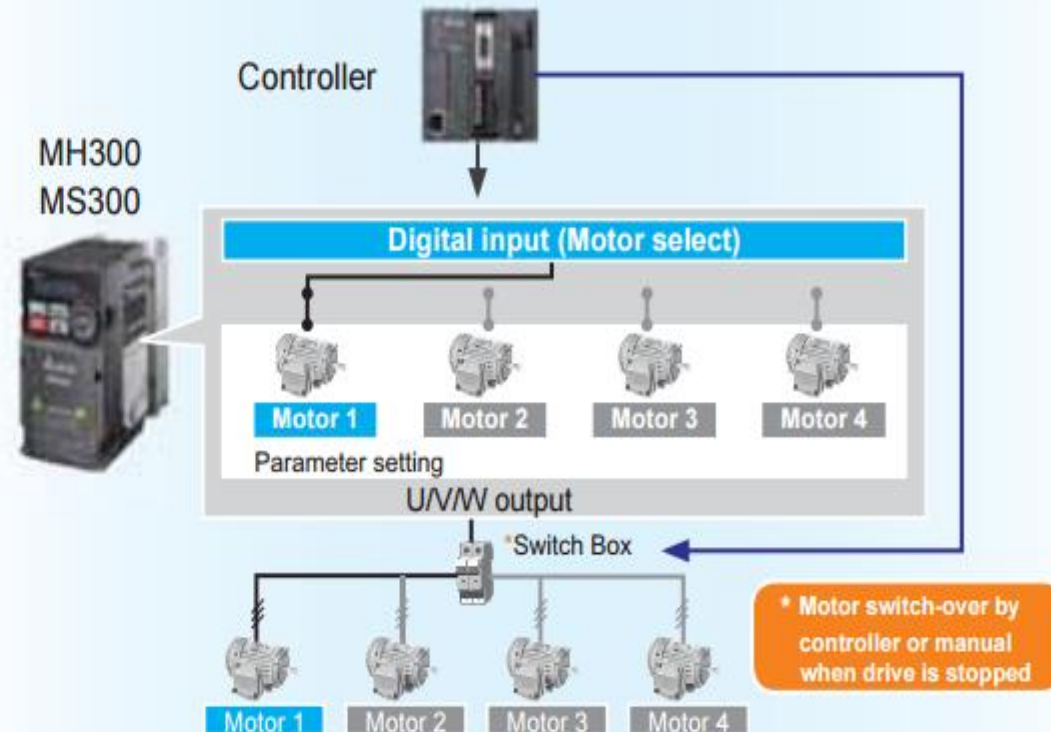
MS300 series supports 4 induction motors switching control.

CONTROL MULTIBOMBEO!!!!
(Al fin!!!)

Traditional Control



Multi-motor Control



Características Principales

Built-in PLC

MH300 built-in PLC capacity (5k steps) and MS300 built-in PLC capacity (2k steps) to provide distributed control and independent operation via network connection.



PLC
INTEGRADO

Versatile Communication Interfaces

- MH300, built-in RS-485 (MODBUS) and CANopen
- MS300, built-in RS-485 (MODBUS)

More communication cards are available upon selection.

Communication	MH300	MS300
MODBUS	Built-in	Built-in
PROFIBUS DP	Optional	Optional
DeviceNet	Optional	Optional
MODBUS TCP	Optional	Optional
EtherNet/IP	Optional	Optional
CANopen	Built-in	Optional
EtherCAT	Optional	(To be announced)

AMPLIA
VARIEDAD DE
PROTOCOLOS
DE
COMUNICACIÓN
DISPONIBLES



Built-in USB Port

Built-in USB port facilitates the drive setting, updating, real-time monitoring and system tuning process.

- No need of USB or RS-485 connectors
- Supports offline (drive power off) parameter setting/copying and system update



PUERTO USB PARA
CONFIGURACION,
PROGRAMACION, SERVICIO,
ETC



http://www.deltaww.com/filecenter/Products/download/06/060101/Catalogue/DELTA_IA-MDS_MH300-MS300_C_EN_20170329_web.pdf

Smarter. Greener. Together.

To learn more about Delta, please visit www.deltaww.com.

