

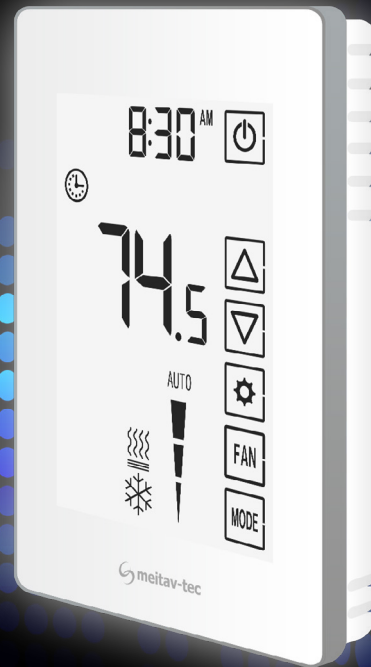
Touch Screen Thermostats

BACNET

HUMIDITY

CO₂

MODBUS



LIGHT

WIFI

TOUCH SCREEN

COLOR

PIR



www.meitavtec.com

www.meitavtecamerica.com

On/Off thermostats

- On/Off outputs
- Proportional (0-10VDC) outputs
- VFS (ECM Fan Motor) output
- Floor Heating
- Easy Configuration
- Flush Mounting



B.M.S. Communicating thermostats

- RS485 interface

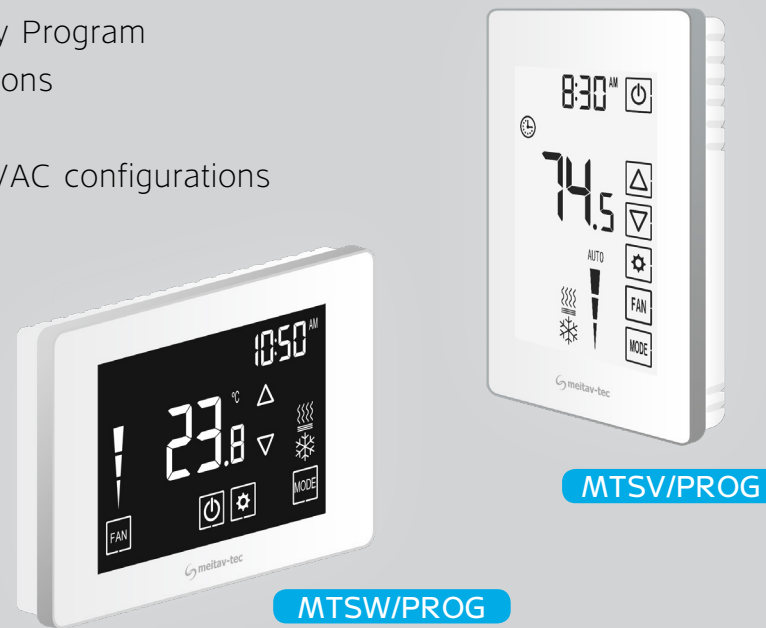


General features

- Suitable for Multiple HVAC applications
- Easy and clear GUI
- 24VAC or 110-220VAC
- 6 Digital Outputs
- 2 Analog Outputs (0-10V)
- 2 Universal Inputs
- Occupancy Sensor Interface
- 14 DIP Switches - options variety
- Simple Technician interface
- Economizer Support for Energy Saving

Programmable thermostats

- US and EU Weekly Program
- 5-1-1 / 7 days options
- 4 events per day
- Available for all HVAC configurations



Advanced & Equipped thermostats



Panel for CTU controller



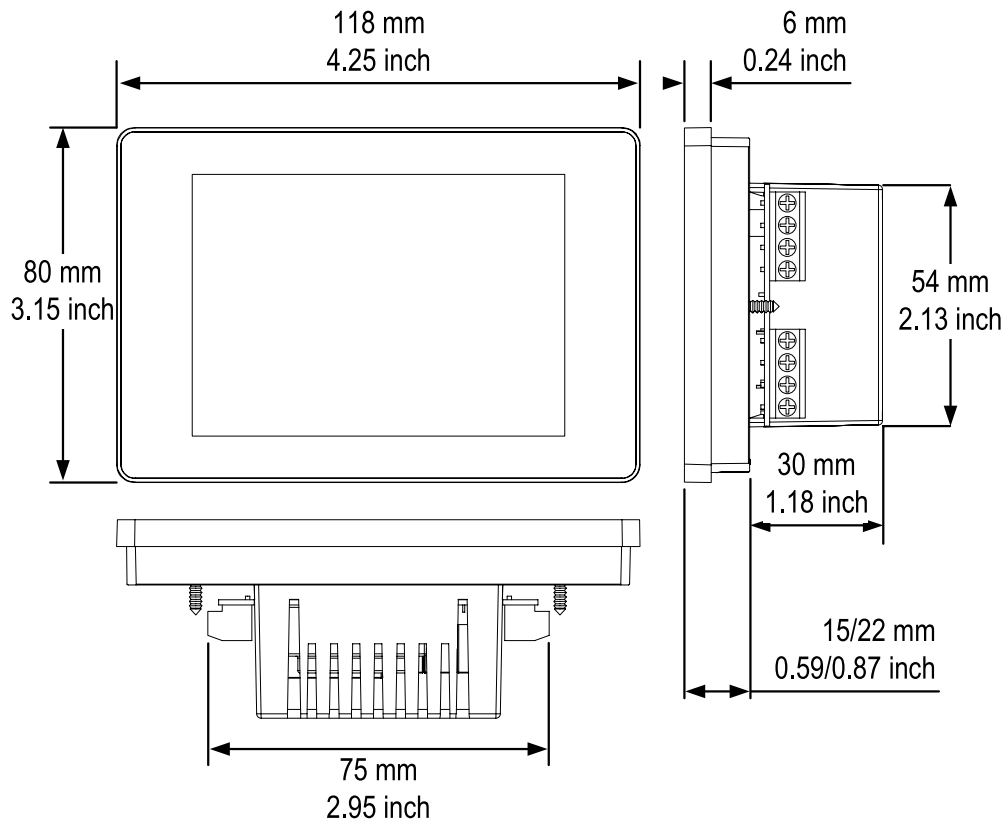
- 8 D/I
- 8 D/O
- 2 A/O
- 2 A/I
- 3 Temperature inputs
- B.M.S.

- CO₂
- Humidity
- Light
- Fresh Air Damper control
- Heating/Cooling
- Occupancy Sensor

MRS - wall sensors

T / CO₂ / Humidity - All in one
24VAC
4-20mA / 0-10 VDC Outputs
MODBUS interface



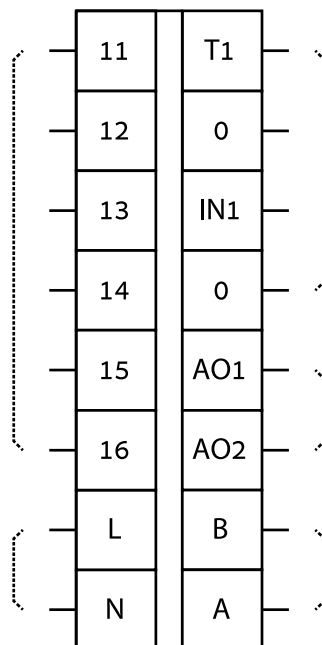


D/O options:

- Fans
- Compressors
- Heat pump
- Electric heating stages
- Floor heating
- Chilled beams
- Lights
- Fresh Air Damper
- Economizer

Power Supply options:

- 110-230 VAC, 50~60 Hz
- 24 VAC, 50~60 Hz



U/I options:

- Return air temperature sensor
- Auto change-over temperature sensor
- Deicing temperature sensor
- Remote on/off switch
- External occupancy sensor
- Door switch
- Key card

A/O options:

- Proportional valves
- VFS (ECM motor)
- Humidifier/Dehumidifier
- Fresh Air Damper

RS485 communication:

- BACnet / MODBUS